



**Spin Dryers**  
**VP2 "Greens Machine" Vegetable Dryer,**  
**20Gal (75Lt) with basket, stainless steel**  
**drum**

ITEM # \_\_\_\_\_  
 MODEL # \_\_\_\_\_  
 NAME # \_\_\_\_\_  
 SIS # \_\_\_\_\_  
 AIA # \_\_\_\_\_



VP2 "Greens Machine" Vegetable Dryer, 20Gal (75Lt) with basket,  
 stainless steel drum  
 Spin Dryers



**Short Form Specification**

**Item No.** \_\_\_\_\_

VP2 "Greens Machine" Vegetable Dryer, 20Gal (75Lt) with basket, stainless steel drum, floor model, capacity approximately 16 heads of lettuce, adjustable built-in 5 minute timer, ON & OFF buttons at ergonomic height, built-in water collection reservoir, stainless steel outer drum (body), 3 casters with brakes.

SPECS: 370 watts (1/2HP) motor, 115v/60/1, 2.7 amps, NEMA 5-15P, 8ft cord

**Main Features**

- Dries up to 16 heads of lettuce in under 5 minutes. Other green leaves and cut vegetables can be dried as well.
- Delivered with plastic basket, equipped with handle grips for easy loading/unloading.
- Built-in 5 minute timer protected by hinged cover.
- ON/OFF water proof buttons at ergonomic height.
- Electrical braking system to stop basket rotation in a few seconds at the end of the cycle or when lid is opened.
- Ergonomically fits under working kitchen counters for storage after use.
- Built in reservoir, water can be easily collected. No need for floor drain (optional).
- Easy lock casters.
- ETL electrical and sanitation listed.
- 2 year parts warranty, 1 year labor.

**Construction**

- Stainless steel external drum (body).
- Removable plastic inner basket, 20Gal (75Lt) capacity.
- Hinged plastic lid with built-in safety device.
- Mounted on casters with brakes.
- Water reservoir (built-in) equipped with level indicator.
- Basket rotates at approximately 400 RPM.

**Included Accessories**

- 1 of Inner Basket with holes PNC 653788

**Optional Accessories**

- Inner Basket with holes PNC 653788

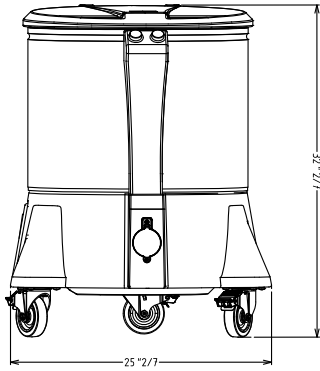
APPROVAL: \_\_\_\_\_



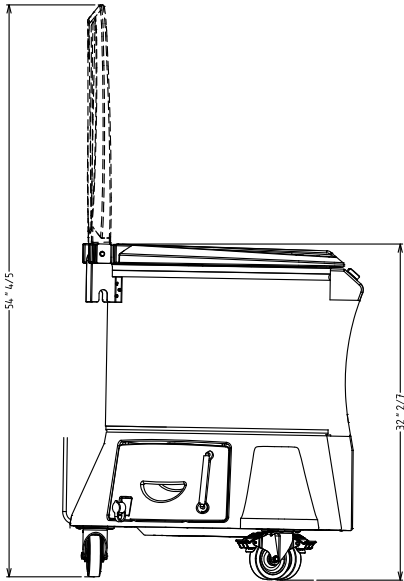
**Electrolux**  
PROFESSIONAL

**Spin Dryers**  
**VP2 "Greens Machine" Vegetable Dryer, 20Gal (75Lt) with basket, stainless steel drum**

Front

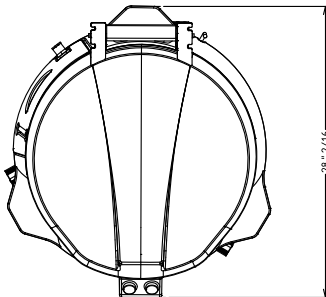


Side



EI = Electrical connection

Top



**Electric**

<b>Supply voltage:</b>	120 V/1N ph/60 Hz
600095 (VP2)	
<b>Amps:</b>	2.7
<b>Total Watts:</b>	0.4 kW
<b>Plug type:</b>	USA NEMA 5-15P
<b>Horsepower:</b>	1/2 HP

**Key Information:**

<b>External dimensions, Width:</b>	26 9/16" (675 mm)
<b>External dimensions, Depth:</b>	26 9/16" (675 mm)
<b>External dimensions, Height:</b>	32 1/64" (813 mm)
<b>Shipping weight:</b>	121 lbs (55 kg)



VP2 "Greens Machine" Vegetable Dryer, 20Gal (75Lt) with basket, stainless steel drum  
The company reserves the right to make modifications to the products without prior notice. All information correct at time of printing.